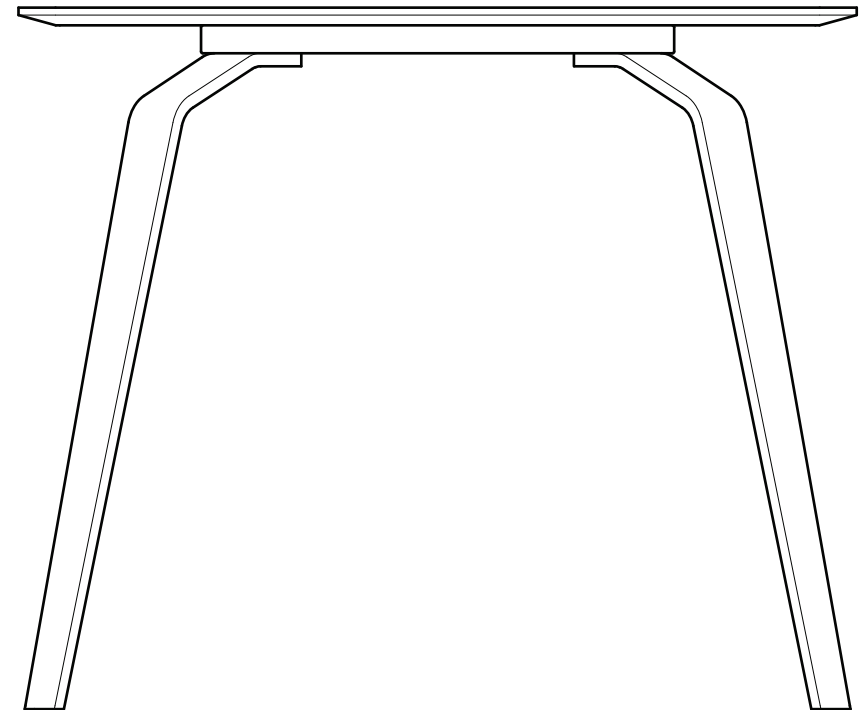


# Float

Design by  
Jesper K. Thomsen for

# HOUE



## Assembly instruction

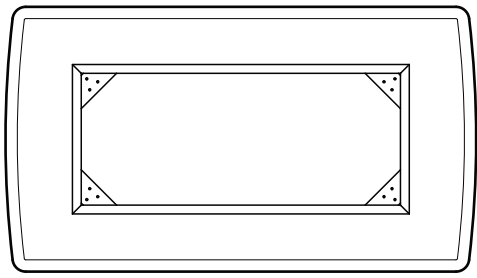
---

Screws and tools are included

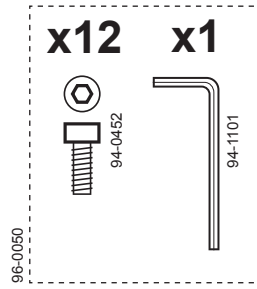
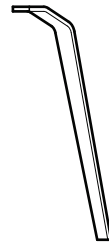
! Please keep the tabletop in the box, until the legs have been mounted.

It takes two persons to flip the table around, in order to avoid damages

Assembly instruction 97-0500-v1



x4



x12

x1

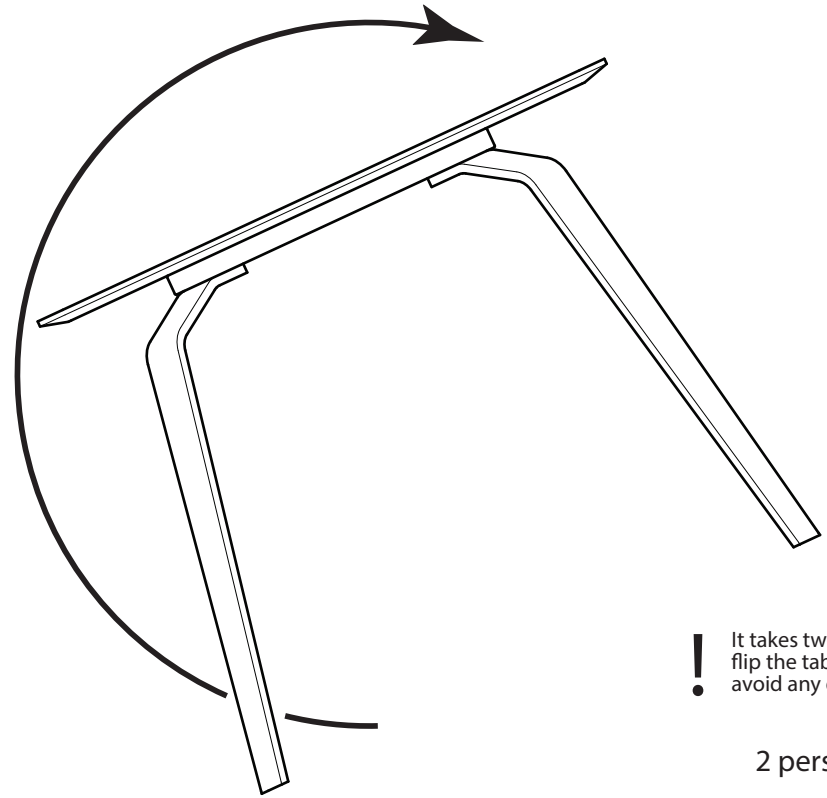
96-0050



94-0452

94-1101

2

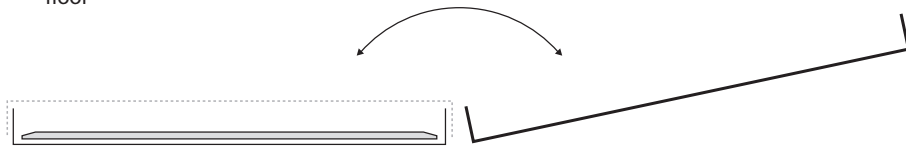


! It takes two persons to flip the table around, to avoid any damages

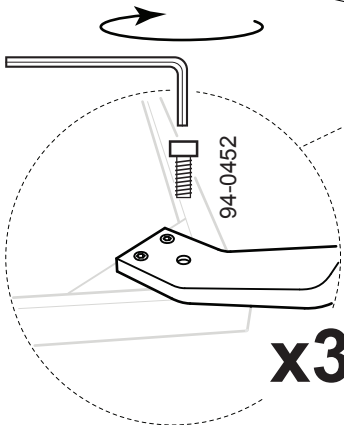
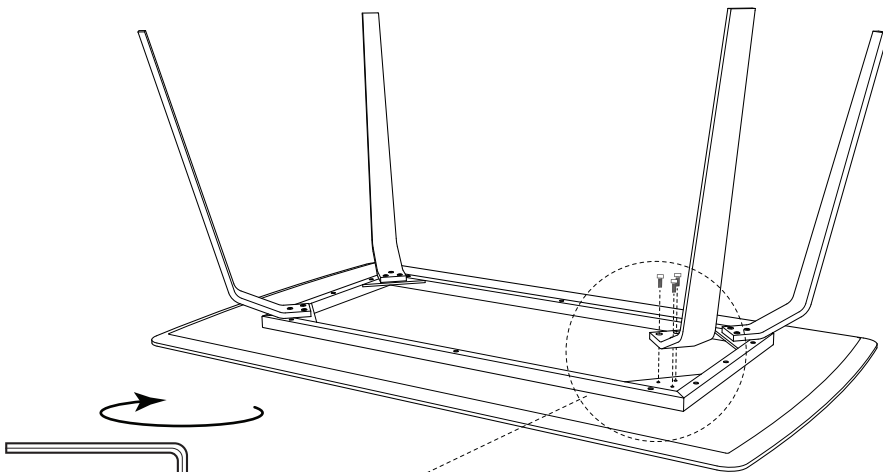
2 persons



! Use the lid as cover when assembling the frame, to protect the tabletop and floor



1



x3

x4